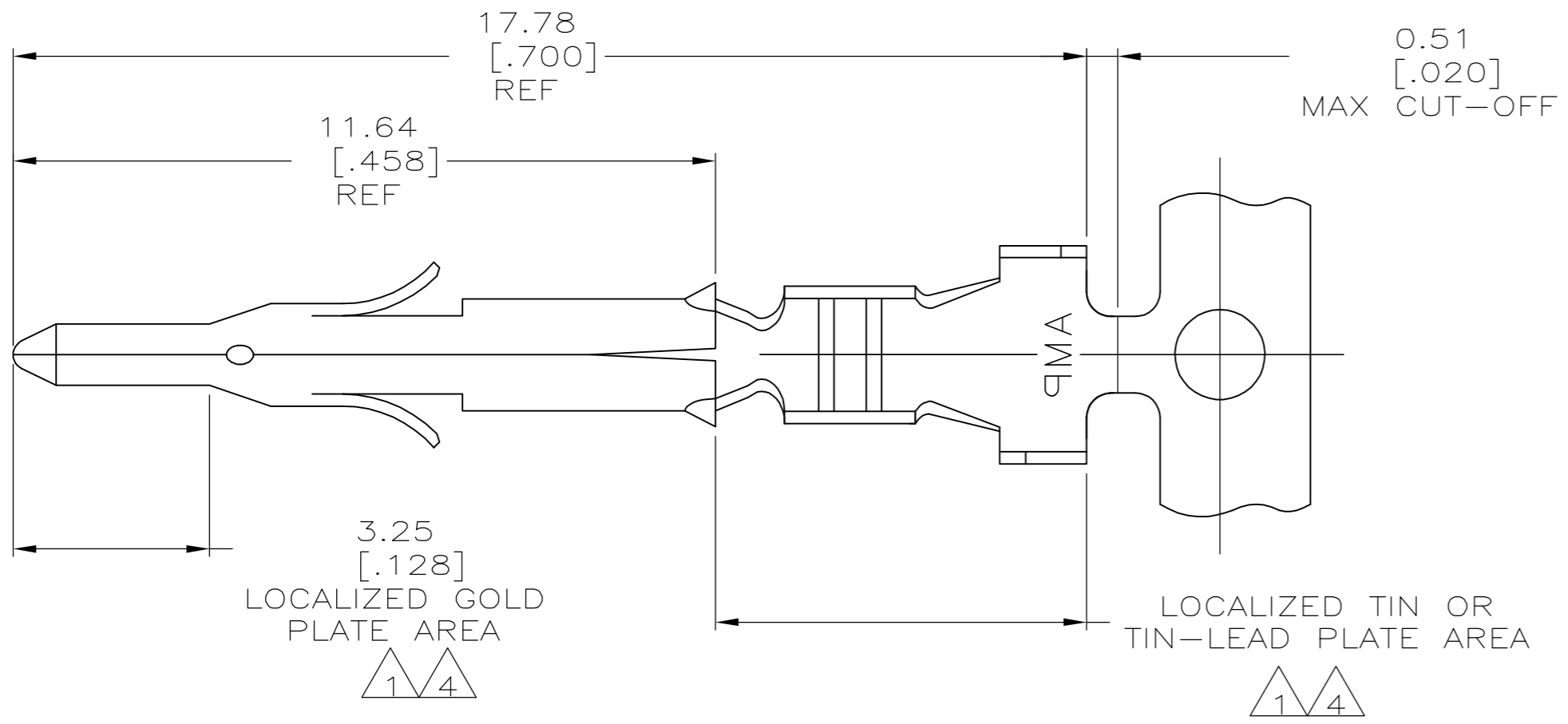
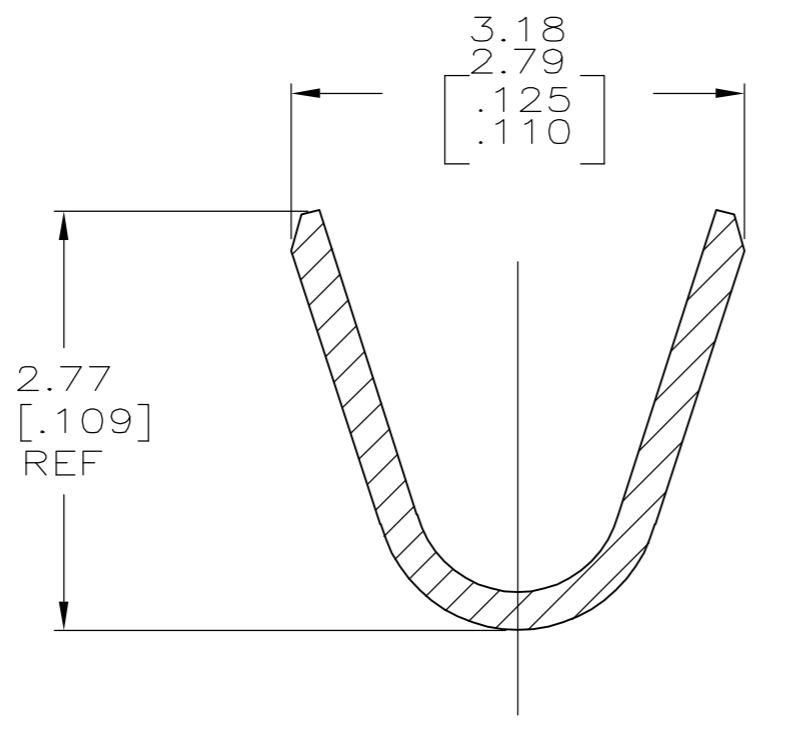
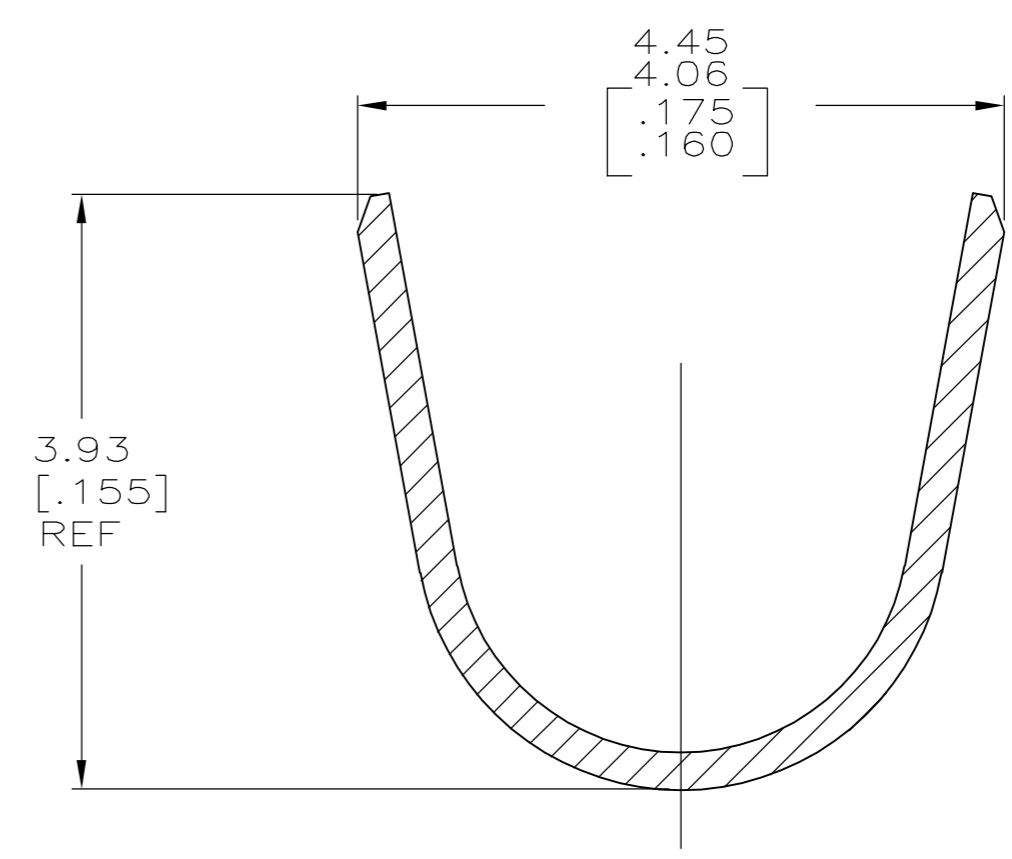
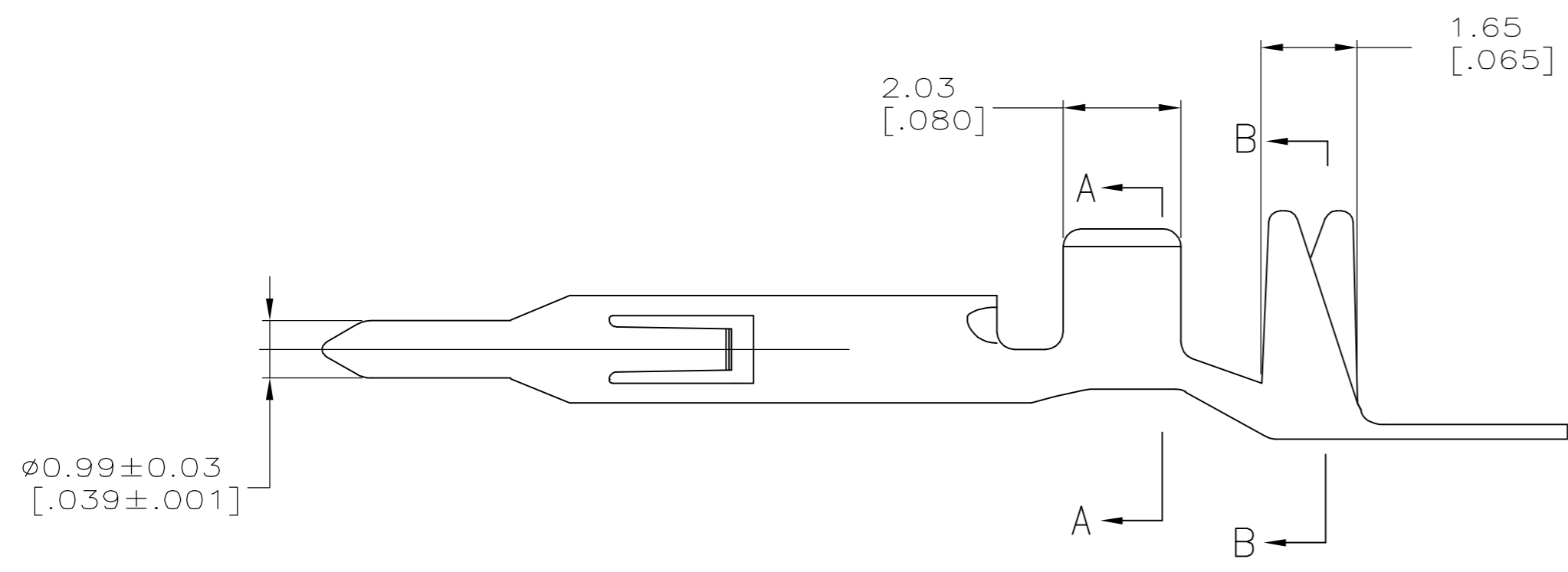


THIS DRAWING IS UNPUBLISHED. RELEASED FOR PUBLICATION  
 © COPYRIGHT BY TYCO ELECTRONICS CORPORATION. ALL RIGHTS RESERVED.

LOC		DIST		REVISIONS			
P	LTR	DESCRIPTION		DATE	DWN	APVD	
	B	EC 063B 0214 05		29AUG05	BSV	CJ	



- 1. 0.00076 [.000030] MIN GOLD PER IN LOCALIZED GOLD PLATE AREA AND 0.00254-0.00635 [.000100-.000250] BRIGHT TIN-LEAD PER IN LOCALIZED TIN-LEAD PLATE AREA OVER 0.00127 [.000050] MIN NICKEL.
- 2. WIRE RANGE: 0.5-1.4MM<sup>2</sup> (20-16 AWG).
- 3. INSULATION RANGE: 2.01-3.20[.079-.126] DIA.
- 4. 0.00076 [.000030] MIN GOLD PER IN LOCALIZED GOLD PLATE AREA AND 0.00254-0.00635 [.000100-.000250] MATTE TIN IN LOCALIZED TIN PLATE AREA OVER 0.00127 [.000050] MIN NICKEL.



4	0.20 [.008] BRASS	1-794406-0
1	0.25 [.010] BRASS	794406-3
PRE-TIN	0.25 [.010] BRASS	794406-1
FINISH	MATERIAL	PART NUMBER

THIS DRAWING IS A CONTROLLED DOCUMENT.		DWN	10JAN03	tyco Electronics		Tyco Electronics Corporation Harrisburg, PA 17105-3608	
DIMENSIONS: mm [INCHES]		CHK	10JAN03	NAME			
TOLERANCES UNLESS OTHERWISE SPECIFIED:		APVD	10JAN03	C. JONES			
0 PLC	± -	PRODUCT SPEC		PIN, MINI UNIVERSAL MATE-N-LOK(TM)			
1 PLC	± -	APPLICATION SPEC		SIZE	CAGE CODE	DRAWING NO	RESTRICTED TO
2 PLC	± -	FINISH		A2	00779	C=794406	-
3 PLC	± 0.13[.005]	MATERIAL		SCALE		SHEET	REV
4 PLC	± -	FINISH		10:1		1 of 1	B
ANGLES	± -	WEIGHT		CUSTOMER DRAWING			
MATERIAL	-	WEIGHT		SCALE 10:1 SHEET 1 of 1 REV B			